

4

3

2

1

DWG. NO. 600-A-QFFN-XX SHEET 1 REV B

SPECIFICATIONS:

POWER RATING: 600 WATTS AVG. AT 25°C. (UNI-DIRECTIONAL)
DERATED LINEARLY TO 50 WATTS AT 125°C

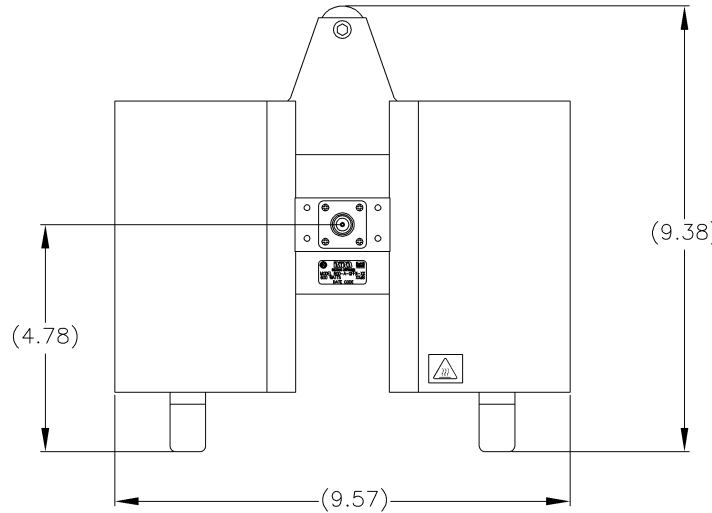
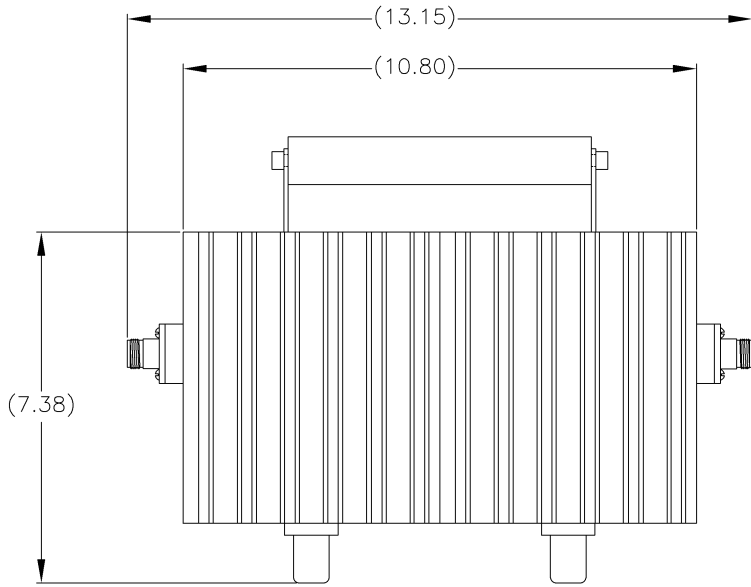
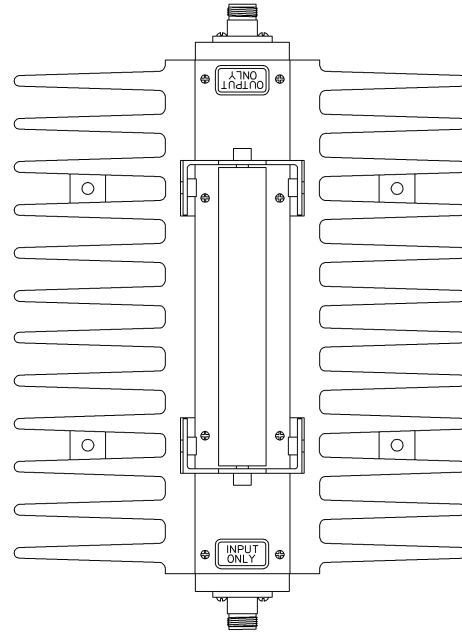
IMPEDANCE: 50 OHMS NOMINAL
FREQUENCY RANGE: DC TO 2.4GHz
VSWR: DC TO 1GHz AT 1.10:1 MAX.
1GHz TO 2.4 GHz AT 1.25:1 MAX.

AMBIENT TEMPERATURE: -40°C TO +40°C
COOLING FIN: ALUMINUM, BLACK ANODIZED
HEAT SPREADER: ALUMINUM, BLACK ANODIZED
CONNECTORS: "QC" N-TYPE FEMALE
OPERATING POSITION: AS SHOWN (VERTICALLY)
NOMINAL SIZE: APPROX. 13.15" L X 9.38 H X 9.57" W
WEIGHT: APPROX. 21.5 LBS

NOTE:

ELECTRICAL SPECIFICATIONS FOR QC-EQUIPPED PRODUCTS
ARE QUOTED WITH THE STANDARD CONNECTORS NORMALLY
SUPPLIED WITH THE EQUIPMENT (N-TYPE FEMALE).

REVISIONS				
REV	DESCRIPTION	DATE	APPROVED	
A	CONVERT TO BEC FORMAT	1-8-03	MRV	
B	UPDATE dB TABLE/LABELING/FORMAT ECO 13553	6-3-08		DMD



XX = DASH NUMBER (dB VALUE)

DASH NO.	dB ATTEN.	ATTENUATION ACCURACY	
		DC - 1GHz	1 - 2.4GHz
-03	3	± 0.5	-0.5dB/+1.0dB
-06	6	± 0.6	-0.5dB/+1.2dB
-10	10	± 0.6	-0.5dB/+1.5dB
-20	20	± 0.6	-0.5dB/+1.5dB
-30	30	± 1.0	-0.5dB/+1.5dB

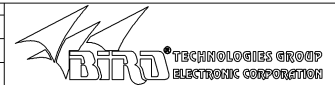
NOTE:

FOR VALUES NOT LISTED, REFER TO THE NEXT HIGHER ATTENUATION LEVEL FOR SPECIFICATIONS. FOR ATTENUATION VALUES GREATER THAN THE HIGHEST LISTED ATTENUATION VALUE, REFER TO THE VALUE 1/2 THE DESIRED ATTENUATION LEVEL, THEN DOUBLE THE LISTED SPECIFICATION VALUES, UNLESS OTHERWISE SPECIFIED.

DIMENSIONS HEREON ARE FOR CUSTOMER CONVENIENCE AND REFERENCE ONLY. TOLERANCE TO BE APPLIED ONLY WHERE INDIVIDUALLY STATED ON THE RESPECTIVE DIMENSION. -DO NOT SCALE DRAWING-

UNLESS OTHERWISE SPECIFIED DIMENSIONS ARE IN INCHES
TOLERANCES ARE:
FRACTIONS ±1/64
DECIMALS .XX= ±0.10
.XXX= ±0.005
ANGLES ±30°
MILLIMETERS .X= ±.4
.XXX= ±.12
DO NOT SCALE DRAWING

APPROVALS		DATE
DRN	DMD	8-1-01
CHK		
APP	MARK V	1-22-03



THIS DRAWING IS THE PROPERTY OF THE BIRD TECHNOLOGIES GROUP OR BIRD ELECTRONIC CORPORATION. THE DESIGNS AND SPECIFICATIONS DISCLOSED HEREIN ARE PROPRIETARY AND SHALL NOT BE REPRODUCED, NOR COPIED, NOR USED AS THE BASIS FOR THE MANUFACTURE OR SALE OF APPARATUS OR DEVICES WITHOUT THEIR EXPRESS WRITTEN CONSENT.

MATERIAL	CODE	TITLE
		ATTENUATOR, CONVECTION COOLED, BENCHTOP, "QC" N-TYPE FEMALE, 600W
FINISH	CODE	

FSCM NO.	SCALE	DWG. NO.	REV
70998	1:1	600-A-QFFN-XX	B
PROJ./LB	AUTOCAD	COMM CODE	AT1
SHEET		1 OF 1	

4

3

2

1